

MINI EXCAVATOR

**PRELIMINARY
SPEC SHEET**



The machine displayed can show optional equipment.

Specifications

Transport weight	3,950 kg
Engine power	28.3 kW (38.0 HP)
Bucket capacity	41 – 152 l
Dig depth	3.20 m / 3.45 m
Reach	5.41 m / 5.56 m

Features

- ▶ Zero-tail version
- ▶ Wide dozer blade for dozer applications
- ▶ Cab with excellent visibility, canopy optional
- ▶ Boom adjustable by 67° to the left, 60° to the right, enables excavation directly in front of walls
- ▶ Wide range of proven work attachments

WORKS FOR YOU.™

SPECIFICATIONS

ENGINE

Manufacturer, model	Kubota, D1803-M
Type	3-cylinder diesel engine, EU Stage IIIA
Combustion	4-stroke, indirect injection (IDI)
Displacement	1,826 cm ³
Power rating acc. to ISO 14396 at 2,300 rpm	28.3 kW (38.0 HP)
Consumption	5.2 l/h
Cooling system	Water

ELECTRICAL SYSTEM

Operating voltage	12 V
Battery	12 V / 80 Ah
Generator	12 V / 40 A

TRANSMISSION

Two-stage hydrostatic travel drive with axial piston variable displacement motor and reduction gear, fully enclosed.	
Travel speed, forward and reverse	0-2.5 / 4.6 kph
Gradeability	max. 60%
Drawbar pull	3,400 daN

UNDERCARRIAGE

Maintenance-free crawler-type undercarriage. Idler suspension with hydraulic crawler track tensioning.	
Width (outside edge of crawler chains)	1,700 mm
Width of rubber crawlers	350 mm
Total length (sprocket - idler)	1,700 mm
Total length (undercarriage)	2,155 mm
Rollers (for each side)	4 lower + 1 upper

DOZER BLADE

Independent of drive train, sensitive control via separate hand lever. Cylinder protection as standard.	
Width x height	1,700 x 350 mm
Dozer cut below ground	510 mm
Dozer lift above ground	330 mm
Slope angle	30°

STEERING

Independent, individual control of crawler chains, also counterwise. Sensitive control via hand levers combined with foot pedals. Pedal console serving as foot rest.	
---	--

SWING SYSTEM

Hydrostatic drive, also acts as wear-resistant brake. Internally toothed ring gear.	
Swing speed	0-9 rpm

BOOM OFFSET

Lateral parallel adjustment of boom arrangement at full dig depth.	
Angle of articulation / lateral adjustment left	67° / 605 mm
Angle of articulation / lateral adjustment right	60° / 717 mm

FLUID CAPACITIES

Fuel tank	30 l
Hydraulic system (incl. 30 l tank)	54 l
Cooling system	8 l
Engine oil	7 l



OPERATING DATA, STANDARD EQUIPMENT

Transport weight (with canopy)	3,800 kg
Transport weight (with cab)	3,950 kg
Operating weight (with canopy) acc. to ISO 6016	3,950 kg
Operating weight (with cab) acc. to ISO 6016	4,100 kg
Total length (travel position)	3,328 (3,338*) mm
Total length (trailer transport position)	4,788 mm
Total overall height (cab)	2,535 mm
Total height (travel position)	3,650 mm
Total width	1,700 mm
Uppercarriage tailswing	845 mm
Uppercarriage frontswing	2,250 (2,060*) mm
Working envelope 180° / 360°	3,095 (3,105*) / 4,500 (4,520*) mm
Ground clearance	230 mm
Reach max.	5,220 (5,460*) mm
Digging depth max.	3,200 (3,450*) mm
Bucket digging force (ISO 6015)	32,000 N
Stick digging force (ISO 6015)	19,500 N
Ground pressure, rubber crawlers (canopy / cab)	0.32 / 0.33 daN/cm ²

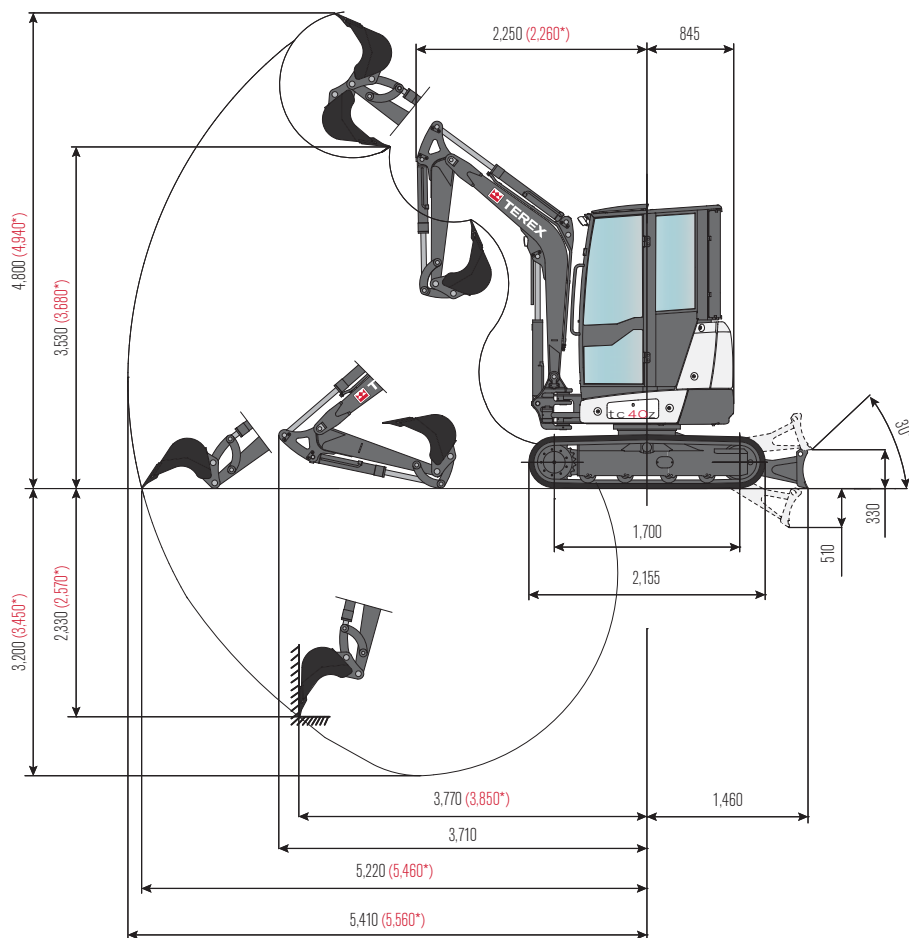
HYDRAULIC SYSTEM

Pump capacity	2 x 37.5 +35 lpm
Working pressure	230 bar
Working hydraulics: Tandem-controlled dual piston variable displacement pump for all work movements and travel drive. One gear pilot pump. Simultaneous independent control of all movements.	
Control circuit for work attachments (single or dual-action):	
Pump capacity	68 lpm
Max. working pressure	230 bar

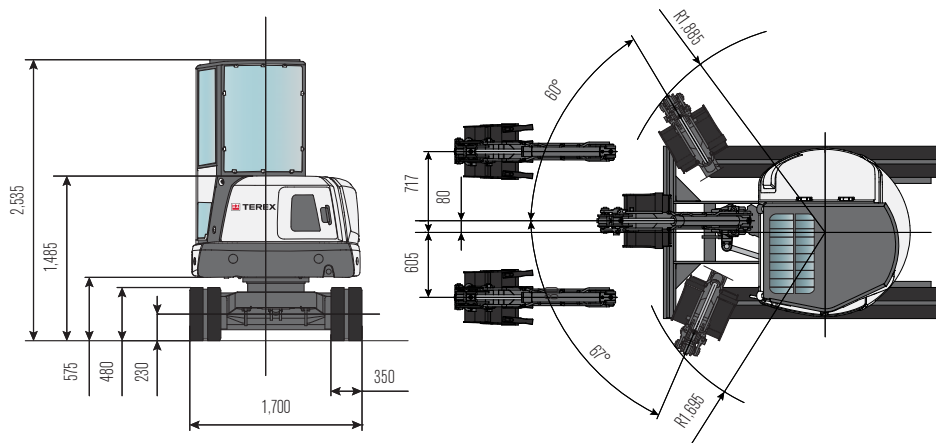
CAB

Full-vision steel cab, FOPS (acc. to ISO 3449) and TOPS (acc. to ISO 12117 / EN 13531) certified.	
Heating, ventilation and seat belt.	
Radio preparation	
Instrument panel on the right hand side of the operator's seat with visual & acoustic warning device, hour-meter, instrument cluster with large fuel gauge.	
Working floodlights mounted on the boom.	
Noise emission ambience L _{WA}	96 dB (A)
Noise emission cab L _{PA}	79 dB (A)
Measured in dynamic measuring cycle acc. to EC Directive 2000/14/EC.	
*with 1,650 mm dipperstick (optional)	

WORKING RANGES & DIMENSIONS: MONOBLOC BOOM



Standard dipperstick 1,400 mm
* with extended 1,650 mm dipperstick



LIFTING CAPACITIES

Bucket hinge height		Load radius from centre of ring gear					
Dipperstick 1,400 mm		2.5 m	3.0 m	3.5 m	4.0 m	4.5 m	MAX
1.0 m		1,231	984	803	716	674	648
		1,096	863	665	536	450	437
		999	770	613	500	413	390

All values in kilograms (kg) were determined acc. to ISO 10567 and include a stability factor of 1.33 or 87% of the hydraulic lifting capacity. All values were determined without the bucket. In case of mounted-on work attachments, the deadweights of the work attachments must be deducted from the permissible payloads.

Working equipment: Rubber crawlers.

WORK ATTACHMENTS

BUCKETS

Bucket 300 mm	Capacity 41 l, weight 53 kg
Bucket 400 mm	Capacity 61 l, weight 62 kg
Bucket 500 mm	Capacity 82 l, weight 71 kg
Bucket 600 mm	Capacity 105 l, weight 79 kg
Bucket 700 mm	Capacity 127 l, weight 89 kg
Bucket 800 mm	Capacity 152 l, weight 97 kg
Ditch cleaning bucket 1,000 mm	Capacity 125 l, weight 85 kg
Ditch cleaning bucket 1,200 mm	Capacity 154 l, weight 99 kg
Ditch cleaning bucket 1,400 mm	Capacity 182 l, weight 112 kg
Directional ditch cleaning bucket 1,000 mm	Capacity 125 l, weight 134 kg
Directional ditch cleaning bucket 1,200 mm	Capacity 154 l, weight 148 kg
60° Trapezoidal bucket	Capacity 114 l, weight 73 kg

OTHER WORK ATTACHMENTS

Hydraulic hammer	Quick-change adapter for hydraulic hammer
Auger	
Further work attachments available on request	

OPTIONAL EQUIPMENT

BOOM OPTIONS

Monobloc boom, with extended 1,650 mm dipperstick

CRAWLER CHAIN OPTIONS

Steel crawler track, 350 mm wide

HYDRAULIC SYSTEM

Hose-rupture / load-retaining valve for boom Hose-rupture / load-retaining valve for dipperstick

OPERATOR'S CANOPY

Canopy, robust steel pipe construction with 4 vertical support members and steel plate protection roof. FOPS (acc. to ISO 3449) and TOPS (acc. to ISO 12117 / EN 13531) certified. Operator's seat with artificial leather covering, seat belt.

Cab-mounted working floodlights

Yellow beacon

OTHER OPTIONAL EQUIPMENT

Mechanical quick-attach system (QAS) Additional rear weight 255 kg

Further optional equipment available on request

www.terex.com/construction

Effective date: May, 2015. Product specifications and prices are subject to change without notice or obligation. The photographs and/or drawings in this document are for illustrative purposes only. Refer to the appropriate Operator's Manual for instructions on the proper use of this equipment. Failure to follow the appropriate Operator's Manual when using our equipment or to otherwise act irresponsibly may result in serious injury or death. The only warranty applicable to our equipment is the standard written warranty applicable to the particular product. Terex makes no other warranty, express or implied. Products and services listed may be trademarks, service marks or trade-names of Terex Corporation and/or its subsidiaries in the USA and other countries. All rights are reserved. "Terex" is a registered trademark of Terex Corporation in the USA and many other countries. Copyright ©2015 Terex Corporation. (R2_170715_prelim) Ref.No.: TEREX845EN

Terex Compact Germany GmbH
Kraftwerkstr. 4
D-74564 Crailsheim
Tel: +49 (0)7951 / 9357-0 Fax: +49 (0)7951 / 9357-671
construction@terex.com www.terex.com



WORKS FOR YOU.™